

CP300 SPECIFICATION SHEET

PRODUCT SPECIFICATION

APPLICATION

ENVIRONMENT:

Column Protectors filled with air for controlled impact absorption, made from highly flexible, strong, low density polyethylene. Column protectors prevent damage to columns and pillars in warehouses, car parks etc and also to the vehicle or equipment that may have collided with it. They're easy to assemble with no fixings, simply secure with the velcro straps provided. Available in a range of sizes. Stackable for higher protection if required.

ADVISORY SPEED:

3.4km/h for gross weight vehicle of 2500 kg
2.4km/h for gross weight vehicle of 5000 kg

MATERIAL

STRAPS / FIXATIONS:

Linear low density Polyethylene, high visibility UV Resistant- Fire class HB* - non-conductive - impervious to most chemical products.

COLOURS:

Velcro straps – black 50mm x 2450mm
2 black straps to hold 2 halves together.

Yellow

REQUIREMENTS, MAXIMUM PILLAR DIMENSIONS:



260mm x 260mm



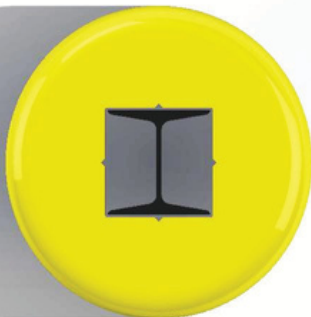
320mm x 320mm

ENVIRONMENT:

Suitable for indoor and outdoor use

WORKING TEMPERATURES:

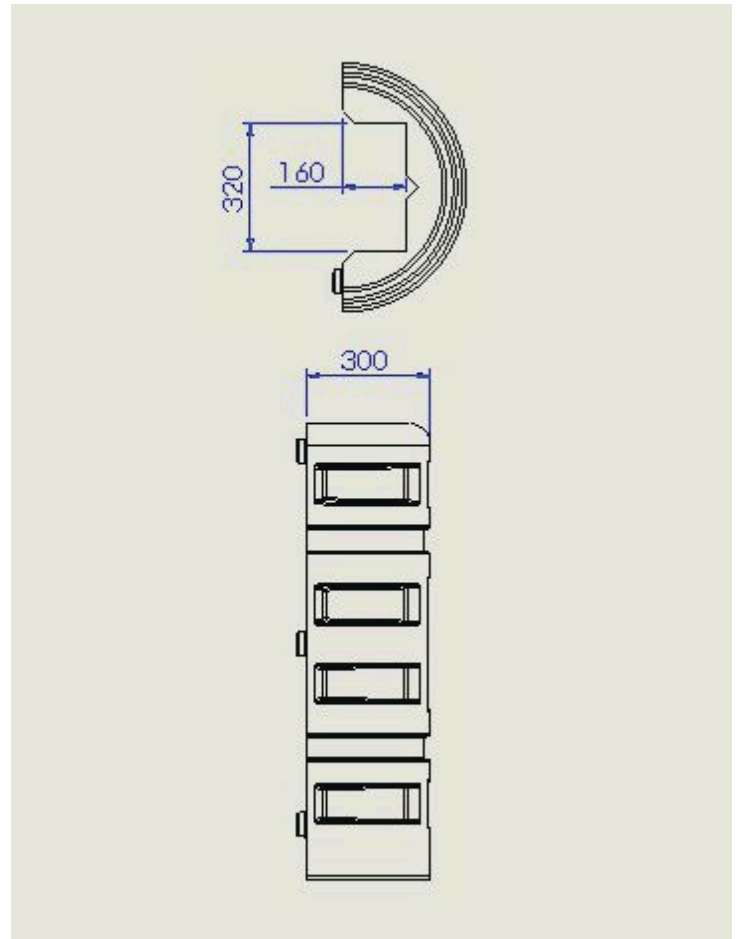
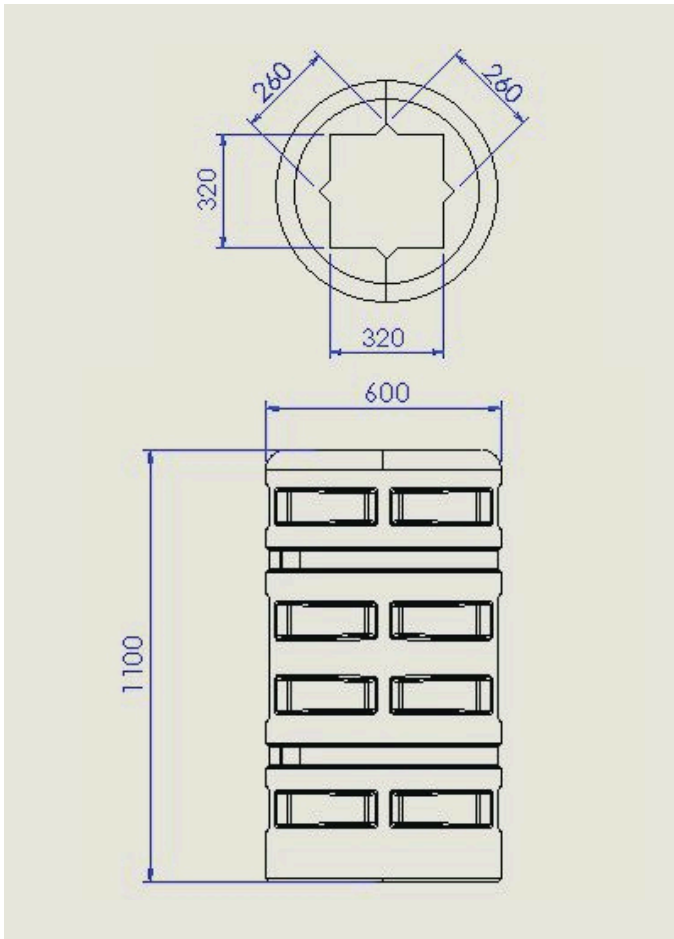
-15°C up to +40°C



FEATURES AND FUNCTIONALITY

SIZE:		IMPACT PERFORMANCE:		
OUTER DIAMETER:	600mm x 600mm	TEST CONDITIONS:	Ambient Temperature	20° Celcius
INNER DIAMETER:	320 x 320mm (260 x 260mm)		Forklift Weight	2300kg
WEIGHT:	23kg		Success Criteria	No permanent damage of the protector
HEIGHT:	1.1 Metre	90° IMPACT:	Maximum Impact:	2100 Joule
		45° IMPACT:	Maximum Impact:	3100 Joule

CP300 SPECIFICATIONS:



INFILLS THAT CAN BE ADDED TO CP300

110mm infill for rectangular shaped columns 300 x 310mm
 210mm infill for rectangular shaped columns 300 x 410mm
 310mm infill for rectangular shaped columns 300 x 510mm

110mm 210mm 310mm

