

# B16 SERIES



## FEATURES

- Multi-Voltage Input 12~24VDC.
- LEDs rated to 100,000 hours of operation.
- Non-volatile memory recalls last flash pattern used at power up.
- Multiple units are synchronizable and can flash simultaneously or alternately.
- Reverse polarity protection.
- Weatherproof and vibration resistant design for external or internal use.

## SPECIFICATIONS

**Meets:** ECE-R65, ECE-R10, SAE

**Operating Voltage:** 12~24VDC

**Warning Patterns:** 11 Flash Patterns

**Bulb:** 3W LED x 8 pcs

**Avg. Current:** 1.2A @12.8VDC / 0.7A @24VDC  
(varies with flash pattern)

**Avg. Power:** 15Watts (varies with flash pattern)

**Max. Current:** 2.4A @12.8VDC / 1.3A @24VDC

**Max. Power:** 30Watts

**Wires:** Magnetic Mount

- Single button cigar-plug: 300cm
- European cigar-plug: 250cm

### Permanent Mount

- Red-Vcc : 40cm (20AWG)
- Black-GND: 40cm (20AWG)
- Yellow-Flash Patterns & Sync: 40cm (20AWG)
- White-Phase: 40cm (20AWG)

**Fuse Recommended:** 5

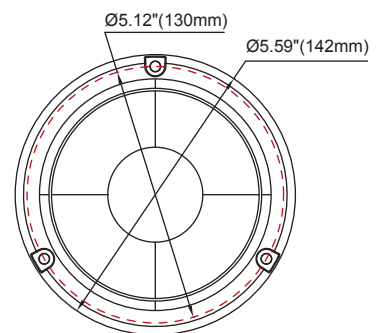
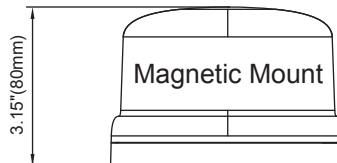
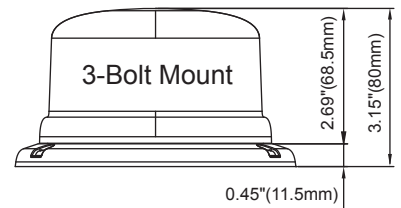
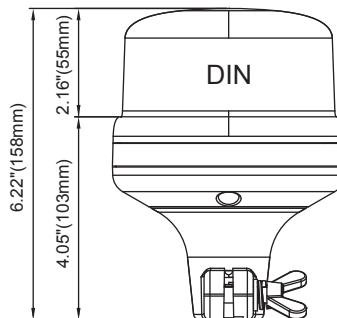
**Multi-Unit Synchronization:** Over 15

**Storage Temperature:** -40°C to +75°C

**Operating Temperature:** -30°C to +65°C



## DIMENSIONS



## FLASH PATTERN

| FP# | FLASH PATTERNS | FP# | FLASH PATTERNS |
|-----|----------------|-----|----------------|
| 1   | Double (R65)   | 7   | Quint (SAE)    |
| 2   | Single (2Hz)   | 8   | Mega           |
| 3   | Quad (2Hz)     | 9   | Ultra (SAE)    |
| 4   | Single (SAE)   | 10  | Single-Quad    |
| 5   | Double (SAE)   | 11  | Single H/L     |
| 6   | Quad (SAE)     |     |                |