

# HB6

## HALO BLITZ

### 6LED WARNING LAMP W/ HALO-RING (Surface Mount)



### FEATURES

- 6LED high-performance warning lamp with special outer Halo-Ring.
- Independent controlled, multi-purposed outer Halo-Ring as a Clearance Lamp, an Identification Lamp, a Position Lamp, or a Side Marker Lamp.
- SAE and ECE R65 certified high power warning output.
- ECE R10 EMC Compliance.
- Long life LEDs rated to 100,000 hours of operation.
- Multi-units synchronization in simultaneous or alternating flash.
- Reverse polarity protection.
- Fully Weatherproof and vibration resistant design for external and internal use.
- Aluminum base for efficient heat dissipation and maximum durability.

### SPECIFICATIONS

**Approval:** SAE J595 Class1 (A/B/R/W); SAE J592 (A/R); SAE J2042 (A/R); CA Title13 (A/B/R); ECE R7 (R/W); ECE R10; ECE R65 (XA1, XB1); ECE R91 (A); IPx8

**Warning LED:** High-power LED x 6 pcs

**Halo-Ring LED:** Long-life LED x 18 pcs

**Warning Patterns:** 14 Flash Patterns

**Operating Voltage:** 12~24VDC

**Avg. Current:** 0.675A @12VDC / 0.375A @24VDC (varies by flash pattern)

**Avg. Power:** 9 Watts (varies by flash pattern)

**Max. Current:** 1.35A @12VDC / 0.75A @24VDC

**Max. Power:** 18 Watts

**Wires:** Red-Vcc : 25cm (20AWG)  
Black-GND : 25cm (20AWG)  
White-Vcc : 25cm (20AWG)  
Yellow-Sync & Functions : 25cm (20AWG)

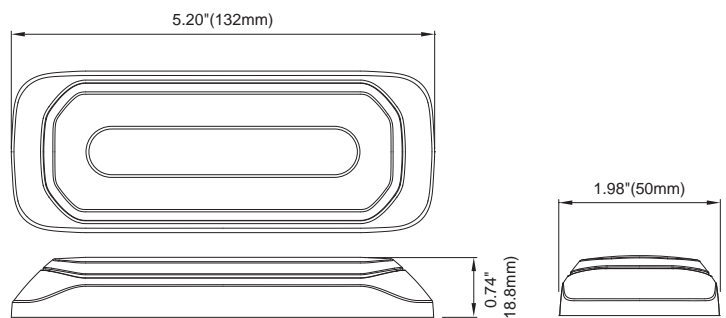
**Fuse Recommended:** 2A

**Lens Colour:** Clear

**Available Warning Colour:** RED , BLUE , AMBER , WHITE

**Available Halo-Ring Colour:** RED , BLUE , AMBER , WHITE

### DIMENSIONS



### FLASH PATTERN

Warning Flash Patterns			
1	Double [R65]	8	Quad [SAE]
2	Single [2Hz]	9	Quint [SAE]
3	Triple [2Hz]	10	Mega
4	Quad [2Hz]	11	Ultra [SAE]
5	Random	12	Single-Quad
6	Single [SAE/CA13]	13	Single H/L
7	Double [SAE]	14	Steady

### FLASH PATTERN

- M069-103XY-00R (SAE, Black Flange)
- M069-203XY-00R (R65, Black Flange)
- M069-303XY-00R (R10, Black Flange)

**Replace X for Warning LED Colour:**

C = Amber; B = Blue; R = Red; W = White

**Replace Y for Halo-Ring LED Colour:**

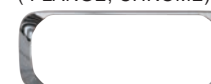
C = Amber; B = Blue; R = Red; W = White

### OPTIONAL FLANGE KIT

**99-M069X00-000**  
( FLANGE, BLACK)



**99-M069X01-000**  
( FLANGE, CHROME)



**99-M069X02-000**  
( FLANGE, WHITE)

