

## Surface Mount

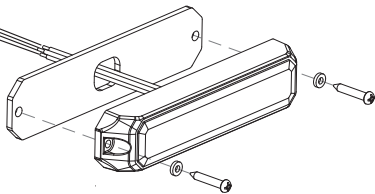
To + VDC (fuse @ 2A): .....**RED**

To Chassis Ground: .....**BLACK**

For Low Power: ..... **WHITE**  
Apply +VDC to **WHITE** wire.

For Synchronization ....**YELLOW**

Connect **YELLOW** wires of multiple lighthead together for synchronization  
(All heads should be set at the same Flash Pattern)



### For Simultaneous or Alternating Flash:

1. Apply +VDC to **RED** and **YELLOW** wires simultaneously to enter Grouping mode; lighthead will display short (single or double) flash:
  - Single flash = Group1
  - Double flash = Group2
2. Remove **YELLOW** wire from +VDC then momentarily apply +VDC to change Groups:
  - Heads of the same Group will flash together.
  - Heads of the different Group will flash alternately.

### For Flash Patterns:

- Momentarily apply +VDC to **YELLOW** wire:
- once for next pattern
  - quick three times for pattern 1

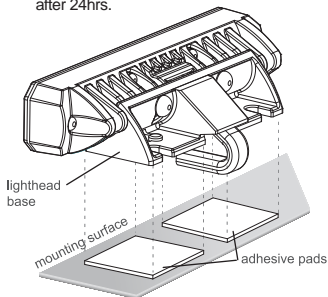
**NOTE:** This unit may not be factory set at FP# 1.

FP#	Flash Patterns
1	Single (R65)
2	Double (R65)
3	Triple (R65)
4	Quad (2Hz)
5	Steady

## Adhesive Mount

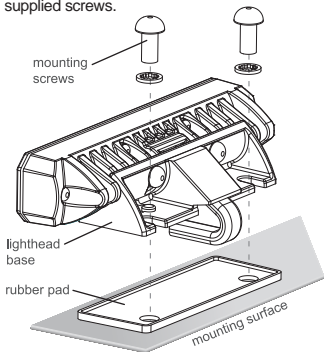
1. Select a mounting location and clean the surface.
2. Peel one side of the adhesive and apply to the lighthouse base.
3. Peel the other side of the adhesive and secure the head firmly to the surface.

**NOTE:** Optimum adhesive strength is achieved after 24hrs.



## Screw Mount

1. Select a mounting location for the lighthouse.
2. Mark and drill mounting holes.
3. Place the rubber pad to the bottom of the base.
4. Secure the head to the mounting surface with supplied screws.



## Bracket Mount

1. Select a mounting location for the lighthouse.
2. Place the rubber pad to the bottom of the base.
3. Place the head to the mounting surface.
4. Align top holes of the bracket onto the lighthouse base alignment points.
5. Secure the head with supplied screws from the bottom of the bracket.

