

# SQ4

4-LED LIGHTHEAD

12-24 VDC



Maximize your Warning Effect with optional Steady on function!

## Features

- **Superior Warning - 4 High Power LED's!**
- **Synchronize Option - Connect multiple heads!**
- **No Limit - Mount anywhere with adjustable or standard bracket!**
- **One for All - Compact unit with robust aluminum housing for ALL types of application!**

## Specification

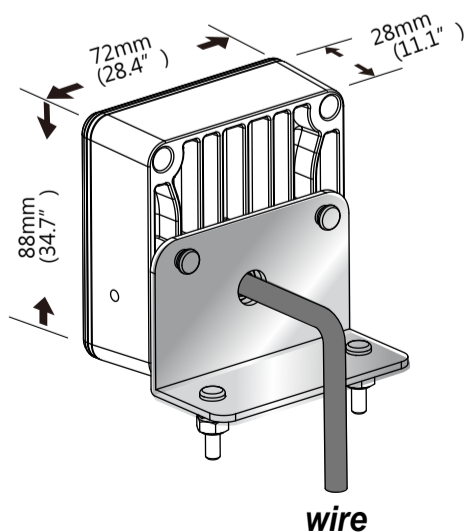
- **Voltage : 12 ~ 24VDC**
- **Flash Patterns : 19**
- **LED Colors: Amber, Red, Blue, White**
- **Max. Current : 0.55A @12.8VDC  
0.26A @24VDC**

## How To Order

- SQ4B1X-XX(color)
- Q'TY : 30 pcs per carton
- N.W. : 9kg • G.W. : 10kg
- CUFT : 0.8'

## Mounting

**1** SQ4B1L



**2** SQ4B1U

