

SQ4

4-LED LIGHTHEAD



SQ4B1

FEATURES

- High-Intensity 1W LED x 4
- Multi-Voltage Input 11~30VDC
- Built-in 19 Selectable Flash Patterns
- LEDs rated to 100,000 hours of operation.
- Non-volatile memory recalls last flash pattern used at power up.
- Multiple units are synchronizable and can flash simultaneously or alternately.
- Reverse polarity protection.
- Weatherproof and vibration resistant design for external or internal use.
- Aluminum base for heat dissipation.

SPECIFICATIONS

Meets: SAE, Title XIII, e13

Bulb: 1W LED x 4pcs

Warning Patterns: 19 Flash Patterns

Operating Voltage: 11~30VDC

Avg. Current: 0.27A @12.8VDC / 0.13A @24VDC
(varies with flash pattern)

Avg. Power: 3.5 Watts (varies with flash pattern)

Max. Current: 0.55A @12.8VDC / 0.26A @24VDC

Max. Power: 7 Watts

Cable Length: 120cm (4 ft)

Wire Functions: Red - Vcc

Black - GND

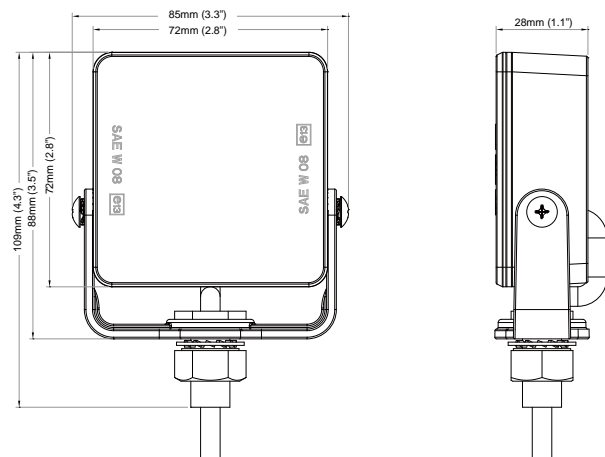
Yellow - Flash Patterns & Sync & Phase

White - Steady Burn

Fuse Recommend: 3A

Available in: RED, BLUE, AMBER, WHITE

DIMENSIONS



FLASH PATTERN

FP#	Flash Patterns	
0	Random	10 Double (all)
1	Steady (split)	11 Quad (all)
2	Double (split)	12 Quint (all)
3	Quad (split)	13 Mega (all)
4	Quint (split)	14 Ultra (all)
5	Mega (split)	15 Single-Quad (all)
6	Ultra (split)	16 Single H/L (all)
7	Single-Quad (split)	17 Steady 2 (california)
8	Single H/L (split)	18 Steady 4 (all)
9	Single (all)	

*SPLIT = top/down alternating *ALL = all LEDs on