

HAL09W

12~24VDC

HIDE-A-LIGHT 9LED SYSTEM



99.F11H□.000R



99.F11C0.000R



ZWIR-20A2M-RBT0T1H3



FBK-HAL06B

FEATURES

- 12~24VDC Multi-Voltage input.
- True 360 ° light output with Tri-Sides LED design.
- Internal installation in vehicle lamp with 1" cut-out.
- External surface mount on vehicle body with flange.
- Built-in 19 selectable Flash Patterns.
- Non-volatile memory recalls last flash pattern used at power up.
- Multi-units synchronization in simultaneous or alternating flash.
- Reverse polarity protection.

SPECIFICATIONS

Meet: SAE & CA13 (flash patterns), IPX6
Bulb: High intensity LED x 9pcs per head
Warning Patterns: 19 Flash Patterns
Operating Voltage: 12-24 VDC
Avg. Current: 1.25A @12VDC
 0.63A @24VDC (varies with flash pattern)
Avg. Power: 15 Watts (varies with flash pattern)
Max. Current: 2.5A @12VDC
 1.25A @24VDC

Max. Power: 30 Watts

Wires: Flasher Functions:

- Red-Vcc: 185cm (20AWG)
- Black-GND: 185cm (20AWG)
- Yellow-Flash Patterns & Sync: 185cm (20AWG)
- White-Phase: 185cm (20AWG)

- Flasher Outputs: 86cm (20AWG)
- Extension Cable: 200cm (20AWG)
- Lighthouse Cable: 21cm (20AWG)

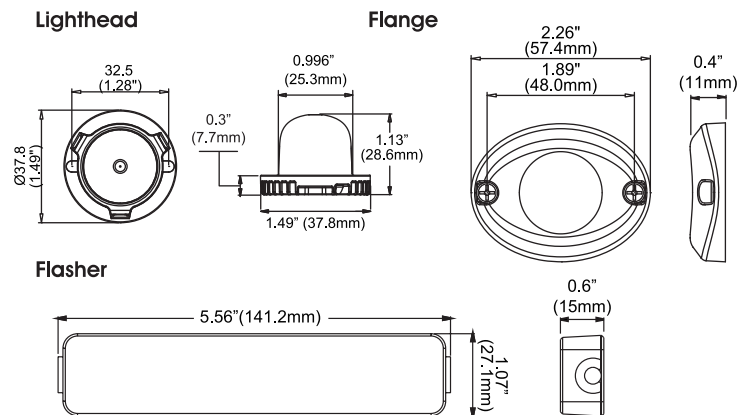
Fuse Recommend: 4A @12VDC
 2A @24VDC

Multi-Unit Synchronization: Over 15 units

Available in: RED, BLUE, AMBER, WHITE

NOTE: This unit is not intended for use with any other flashers or lighthoods.

DIMENSIONS



PART NO.

- F11-0013y-00R (y = Head1/Head2 color)
- D = Blue/Amber, J=Red/Amber, K=Amber/White, Q=Red/Blue

FLASH PATTERN

FP#	Flash Patterns		
1	Random	11	Double (all)
2	Single (split)	12	Quad (all)
3	Double (split)	13	Quint (all)
4	Quad (split)	14	Mega (all)
5	Quint (split)	15	Ultra (all)
6	Mega (split)	16	Single-Quad (all)
7	Ultra (split)	17	Single H/L (all)
8	Single-Quad (split)	18	Steady Half
9	Single H/L (split)	19	Steady All
10	Single (all)		

*SPLIT=Head1 alternate Head2 *ALL=Head1&2 simultaneous