

Brilliantly together

SW830 Series Switch Control Panel

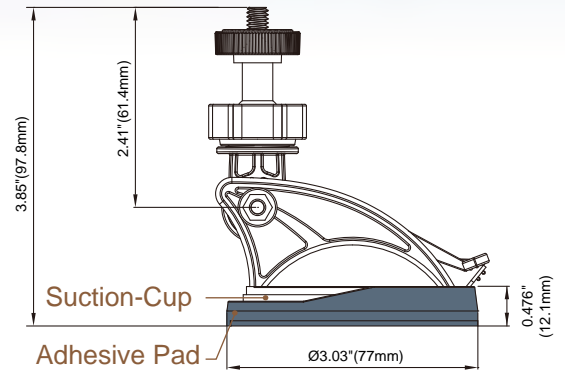
Easy Lightbar Control in One Touch.



Features :

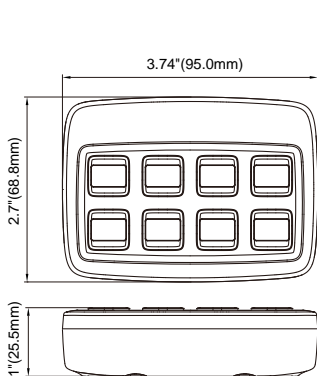
- ✓ Multi-purpose control panel.
- ✓ European Siren Interlock ready.
- ✓ 10 LED signal indicator for compatible Lightbar or Traffic Stick.
- ✓ Programmable buttons in ON/OFF or momentary switch mode.
- ✓ Tool-less, no-drilling mounting via suction-cup or adhesive pad.
- ✓ All backlit rubber touch buttons.
- ✓ Available in:
 - SW830** with power module/ 5 x 0.2A + 3 x 10A Outputs.
 - SW830-2** without power module/ 4 x 0.1A + 3 x 0.2A Outputs.

Mounting:

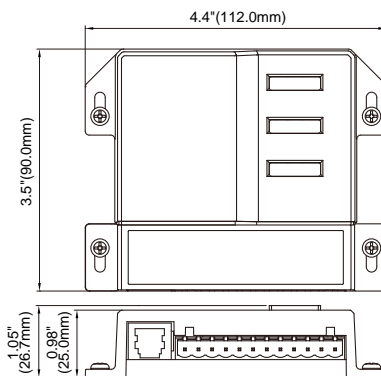


Dimensions :

Control Panel



Power Module (SW830 only)



35 selectable icon stickers to clearly label your panel :

