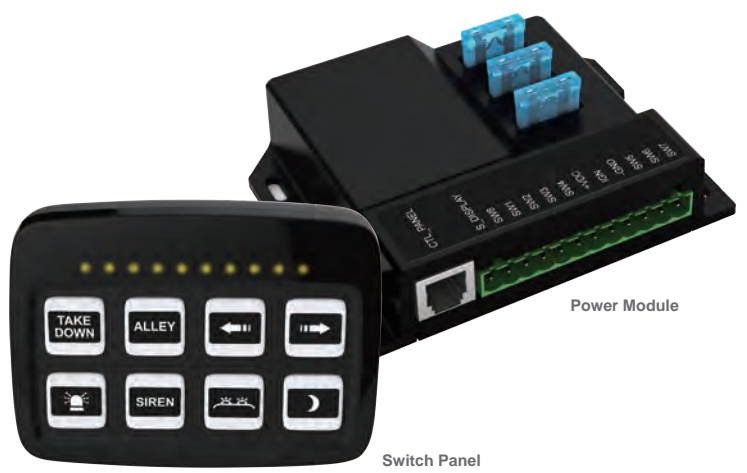


10~24VDC

SW830

Multi-purpose Switch / Control Panel w/ Power Module



FEATURES

- 8 switches control panel with 3 x 10Amp and 5 x 0.2Amp outputs for auxiliary device power or function activation.
- All backlit rubber touch buttons.
- Fully programable buttons in ON/OFF or momentary switch mode.
- European Siren Interlock compatible.
- 10 LED signal indicator for your lightbar or traffic director.
- 35 selectable icon stickers to clearly label your panel.

SPECIFICATIONS

- Approval:** ECE R10
- Operating Voltage:** 10~24VDC
- Input Current:** max 32A / min 0.01A
- Output Voltage:** 10~24VDC
- Output Current:** max 0.2A x 5 ports / max 10A x 3ports
- Fuse Recommended:** 35A @ Input
- Storage Temperature:** -40°C ~ 75°C
- Operating Temperature:** -30°C ~ 65°C
- Control Panel Cable:** 8 pin RJ45 Cable, 24AWG, 4m

RECOMMENDED RELAY SPECIFICATION (USER-SUPPLIED)

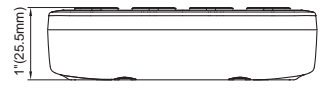
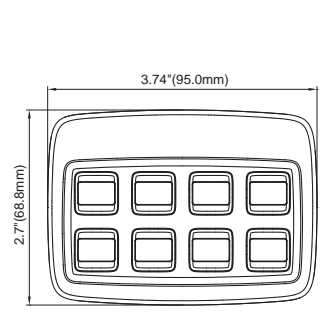
- Input Voltage:** 10~24 VDC
- Input Current:** < 200mA

PART NO.

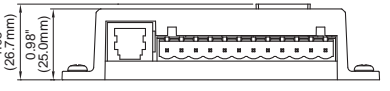
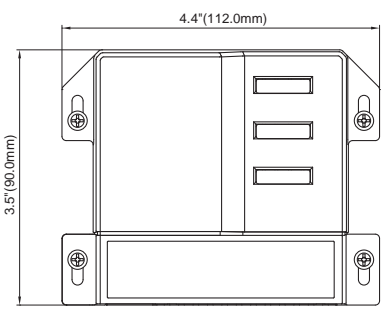
- A03-11130-00R (8 SWITCH W/ POWER MODULE, 4M CABLE, ECE R10)
- A03-11030-00R (8 SWITCH W/ POWER MODULE, 4M CABLE)

DIMENSIONS

Control Panel



Power Module



ICON STICKER

